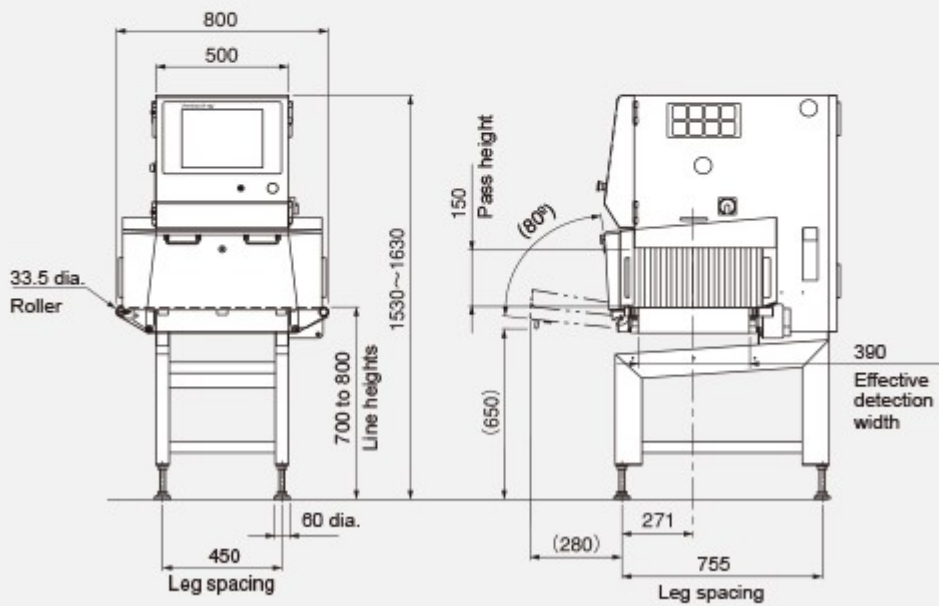
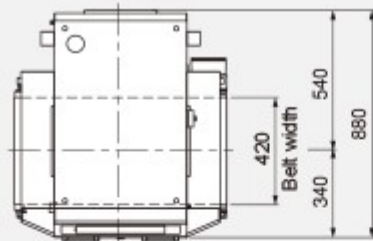


# KD7416DWZ



Units : mm

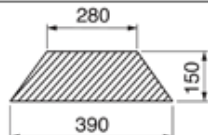
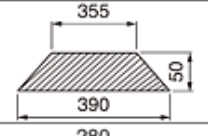
## External Dimensions

Model	KD7416DWZ
X-ray output	Tube voltage 25 to 80 kV, tube current 0.4 to 10.0 mA, output 10 to 350 W
Safety	X-ray leakage maximum 1 $\mu$ Sv/h or less, prevention of x-ray leakage by safety devices
Display	15-inch color TFT LCD (unified image monitoring screen and operation screen)
Operation method	Touch panel (with touch buzzer)
Product size <sup>1</sup>	Maximum width 390 mm, maximum height 150 mm (see drawing for detection area)
Belt width	420 mm
Masking function	Equipped as standard
Missing product detection function	Equipped as standard
Clip check function	Equipped as standard
Preset memory	Maximum 100
Belt speed <sup>2</sup> / Maximum product weight <sup>3</sup>	5 to 60 m/min, maximum 5 kg 5 to 40 m/min, maximum 10 kg (optional)
Power requirements <sup>4, 5, 6</sup>	100 to 120 or 200 to 240 V <sub>ac</sub> , single phase, 50/60 Hz, 1.0 kVA, rush current 80 A (typ.) (5 ms or less)
Mass	280 kg
Environmental conditions <sup>7</sup>	Temperature: 0° to 35°C (0° to 40°C with optional air conditioner), relative humidity: 30% to 85%, non-condensing
Protection class	Conveyor IP66, other parts IP40, tool free belt removal
Exterior	Stainless steel (SUS304)

1: The entrance and exit may require covers depending on the length of a product. 2: Variable depending on Product No. 3: Sum total of product weight on the conveyor. 4: Selectable by switching terminals. Note that the rush current shown above is at an AC voltage of 200 V. It varies according to voltage. 5: Allowable power fluctuation range is  $\pm 10\%$ . 6: Installing the air-conditioner option changes the displayed power consumption. 7: The air-conditioner option may be required depending on the operating environment. Note: The noise level of x-ray inspection systems is 77 dB(A).

## Detection Areas

A variety of models is available for a wide range of products. For details of detection areas, please submit an online inquiry form.

Model	Detection area
KD7416AWZE/ADWDE	
KD7416ACWZE	
KD7416DWZ	